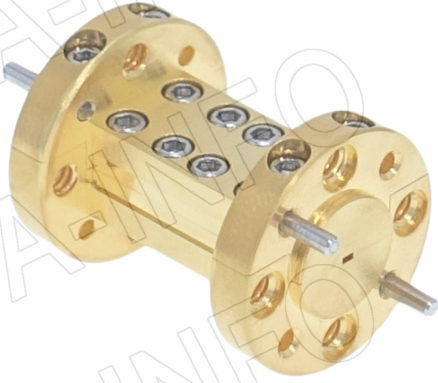


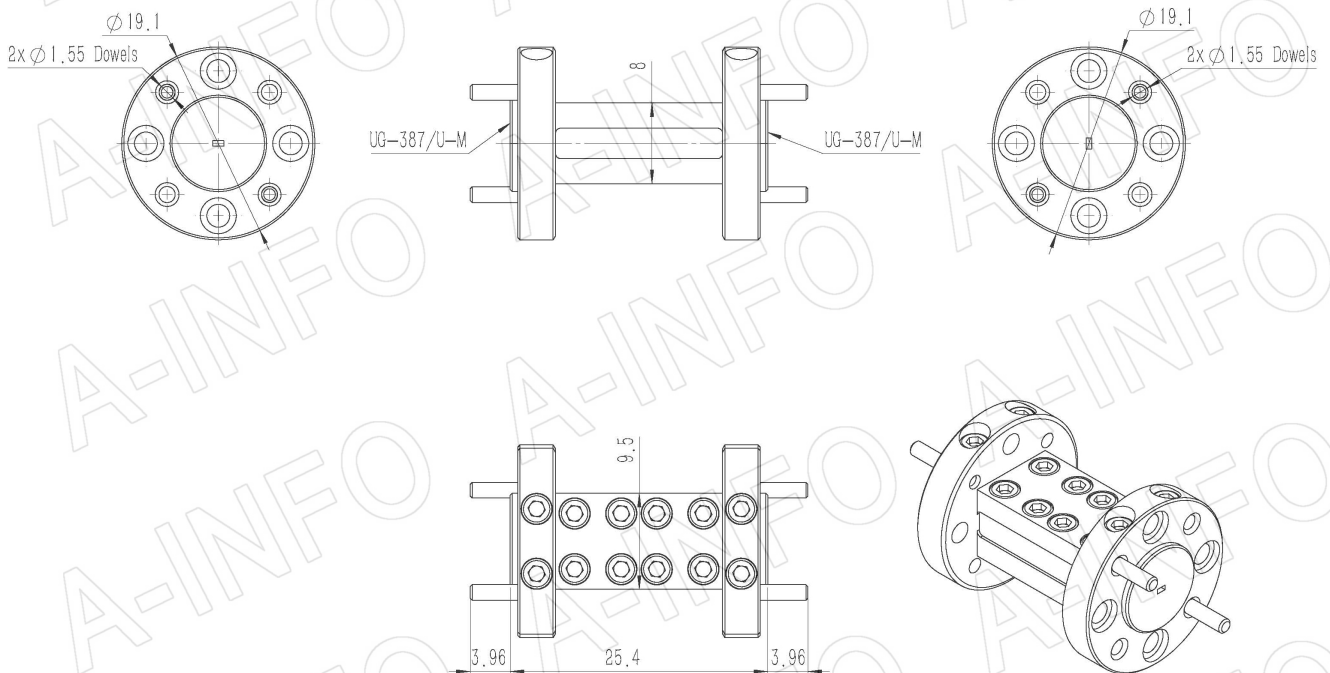
For reference only. See data sheet for the detailed specifications.

Technical Specification



EIA WR	WR4
Frequency Range(GHz)	170.0 – 260.0
Twist Type	Right-Handed
Twist Degree(deg)	90
Insertion Loss(dB)	0.8 Max.
VSWR	1.15:1 Max.
Flange	UG-387/U-M
Material	Cu
Finish	Gold Plated
Size(mm)	25.4 x 19.1 x 19.1
Net Weight(Kg)	0.03 Around

Outline Drawing (Size: mm)



AINFO Inc.

China(Beijing): Tel: (+86) 10-6266-7326,
China(Chengdu): Tel: (+86) 28-8519-2786,
USA: Tel: (+1) 949-639-9688,

Page 1 of 2

(+86) 10-6266-7327 Fax: (+86) 10-6266-7379
(+86) 28-8519-3044 Fax: (+86) 28-8519-3068
(+1) 949-639-9608 Fax: (+1) 949-639-9670

Website: www.ainfoinc.com
Email: sales@ainfoinc.com

